



Features

- Ultra slim LED flood light with elegant design
- Aluminum alloy heatsink for best heat dissipation
- Used as flood light, tunnel light, field light, area light
- Heavy duty trunnion bracket included
- Meanwell driver plus Lumileds LED with quality assurance
- Various beam angle provided: 30°/60°/90°/80°x140°
- Modular design with max wattage up to 800W



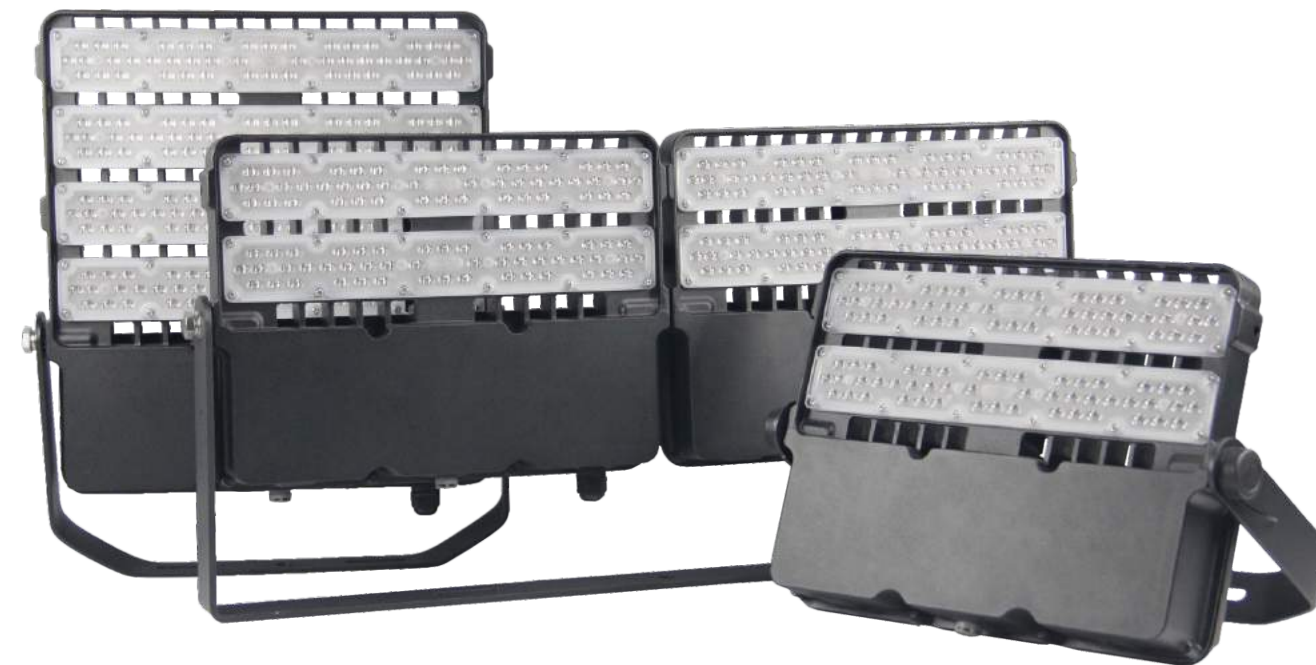
Protection grade reaches IP65



Anti-Level 17 hurricane



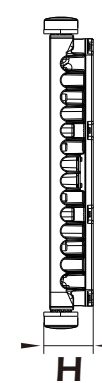
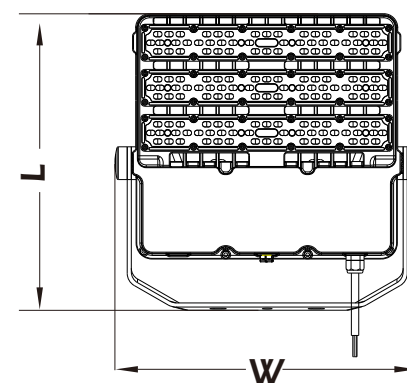
Adjustable angel of 270°



Specifications



Item No.	Wattage (W)	Voltage (V)	Luminous Flux	CCT (K)	CRI (Ra)	Beam Angle	PF	Dimensions (mm)	IP Rating
SO-FLE-100W	100W	AC100-277V	12000lm	2700-6500K	70	30°/60°/90°/80°x140°	>0.9	L365xW310xH60	IP65
SO-FLE-150W	150W	AC100-277V	18000lm	2700-6500K	70	30°/60°/90°/80°x140°	>0.9	L365xW365xH60	IP65
SO-FLE-200W	200W	AC100-277V	24000lm	2700-6500K	70	30°/60°/90°/80°x140°	>0.9	L365xW420xH60	IP65
SO-FLE-240W	240W	AC100-277V	28000lm	2700-6500K	70	30°/60°/90°/80°x140°	>0.9	L365xW420xH60	IP65
SO-FLE-300W	300W	AC100-277V	36000lm	2700-6500K	70	30°/60°/90°/80°x140°	>0.9	L695xW385xH65	IP65
SO-FLE-400W	400W	AC100-277V	48000lm	2700-6500K	70	30°/60°/90°/80°x140°	>0.9	L695xW435xH65	IP65
SO-FLE-600W	600W	AC100-277V	72000lm	2700-6500K	70	30°/60°/90°/80°x140°	>0.9	L711xW645xH105	IP65
SO-FLE-800W	800W	AC100-277V	96000lm	2700-6500K	70	30°/60°/90°/80°x140°	>0.9	L711xW755xH105	IP65



80x140° - Light Distribution Curve[Unit:cd]

