



## Features

- Ultra slim LED flood light with stylish finishing
- Aluminum alloy heatsink for best heat dissipation
- Branded LED to choose: Osram/Philips/Epistar
- Heavy duty trunnion bracket included
- High intensity toughened glass cover
- G-buckle technology for tool free maintenance
- Reflector and heatsink integrated to max the heat dissipation



Protection grade reaches IP65

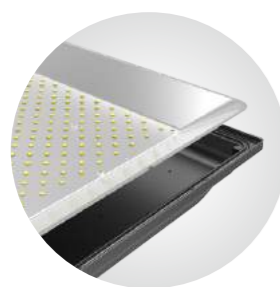


Anti-Level 17 hurricane



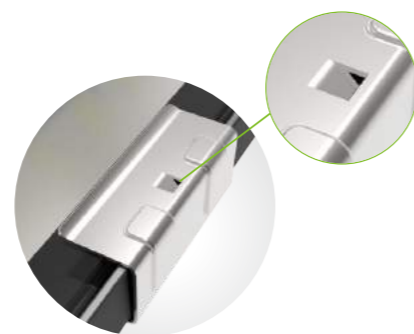
Adjustable angel of 270°

Reflector and heatsink integrated



Large size aluminum PCB fit aluminum die cast housing, reflector and heat sink integrated .

Innovative G-buckle technology

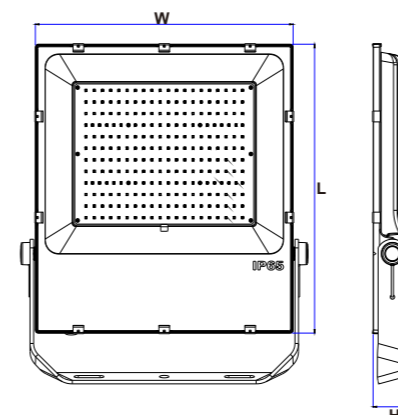


Innovative G-buckle technology, prevent glass off, free of screw fixing, elegant appearance, easy for assembling .

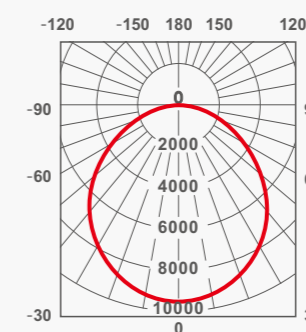
## Specifications



Item No.	Wattage (W)	Voltage (V)	Luminous Flux	CCT (K)	CRI (Ra)	Beam Angle	PF	Dimensions (mm)	IP Rating
SO-FLS-10W	10W	AC100-277V	1100lm	2700-6500K	70	120°	>0.9	L140×W107×H32	IP65
SO-FLS-20W	20W	AC100-277V	2200lm	2700-6500K	70	120°	>0.9	L190×W152×H40	IP65
SO-FLS-30W	30W	AC100-277V	3300lm	2700-6500K	70	120°	>0.9	L200×W167×H40	IP65
SO-FLS-50W	50W	AC100-277V	5500lm	2700-6500K	70	120°	>0.9	L265×W220×H47.5	IP65
SO-FLS-80W	80W	AC100-277V	8800lm	2700-6500K	70	120°	>0.9	L300×W245×H49.5	IP65
SO-FLE-100W	100W	AC100-277V	11000lm	2700-6500K	70	120°	>0.9	L345×W295×H53.5	IP65
SO-FLS-150W	150W	AC100-277V	16500lm	2700-6500K	70	120°	>0.9	L365×W330×H53.5	IP65
SO-FLS-200W	200W	AC100-277V	22000lm	2700-6500K	70	120°	>0.9	L400×W360×H53.5	IP65



200W Light Distribution Curve



200W Illumination Curve

