

LED HIGH BAY LIGHT



Reflecto Series



LED High Bay Light Reflecto Series



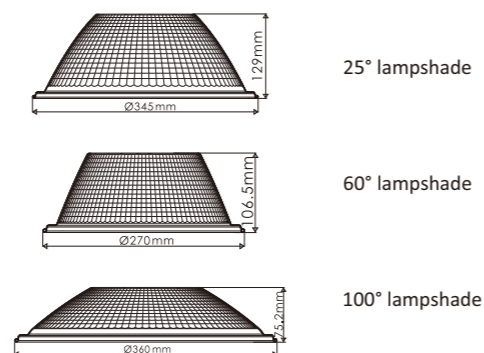
Heat pipe-Riveting and massive fins cooling technology

By using the $\varnothing 6\text{mm}$ heatpipe, the heat generated by the LED is quickly transferred to the cooling module of massive radiation fins, efficiently reducing the temperature of the LED lighting chips and extend the lifespan of the lighting source.

Versatile Mounting Ways



Various Lampshades Optional (25° / 60° / 100°)

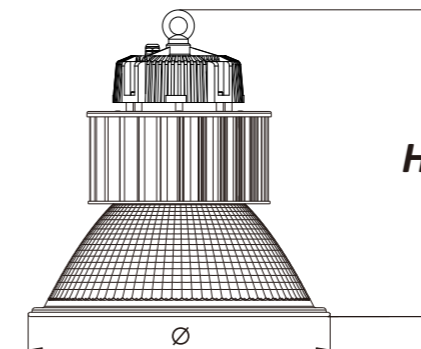


Specifications



Item No.	Wattage (W)	Voltage (V)	Luminous Flux	CCT (K)	CRI (Ra)	Beam Angle	PF	Dimensions (mm)	IP Rating
SO-HBR-R60W	60W	AC100-277V	6600lm	2700-6500K	80	25°/60°/100°	>0.9	$\varnothing 345 \times H321\text{mm}$	IP54
SO-HBR-R100W	100W	AC100-277V	11000lm	2700-6500K	80	25°/60°/100°	>0.9	$\varnothing 345 \times H341\text{mm}$	IP54
SO-HBR-R150W	150W	AC100-277V	16500lm	2700-6500K	80	25°/60°/100°	>0.9	$\varnothing 345 \times H371\text{mm}$	IP54
SO-HBR-R200W	200W	AC100-277V	22000lm	2700-6500K	80	25°/60°/100°	>0.9	$\varnothing 345 \times H421\text{mm}$	IP54

★ Dimension based on 25° reflector



100° Lampshade- Light Distribution Curve[Unit:cd]

