

# LED HIGH BAY LIGHT



# Halo Series



Microwave Sensor Version

Light Sensor Version

White Housing

## Halo UFO LED High Bay Light

### Features

- Die-cast aluminum alloy with compact structure
- Superior electrical and thermal conductivity
- Epistar/Lumileds/Osram SMD LED with LM80 report
- Overall luminous efficacy 130-150LPW
- MEANWELL or CE/TUV/UL approved driver optional
- 60°/90°/110° dome lens designed for more applications
- Aluminum or PC reflector optional
- 1-10V , DALI & Zigbee dimming optional

### Applications

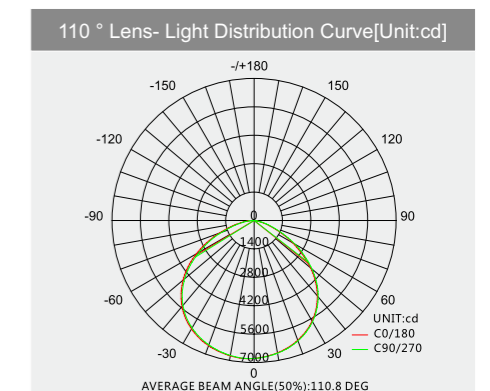
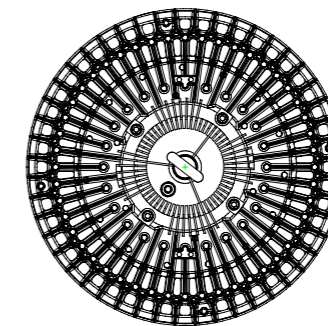
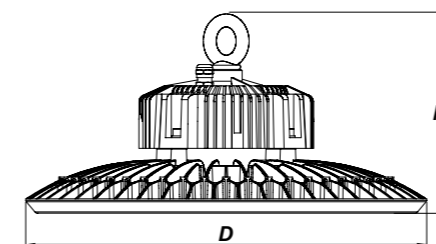
- Suitable for wet location optional
- Warehouse and industrial lighting



### Specifications

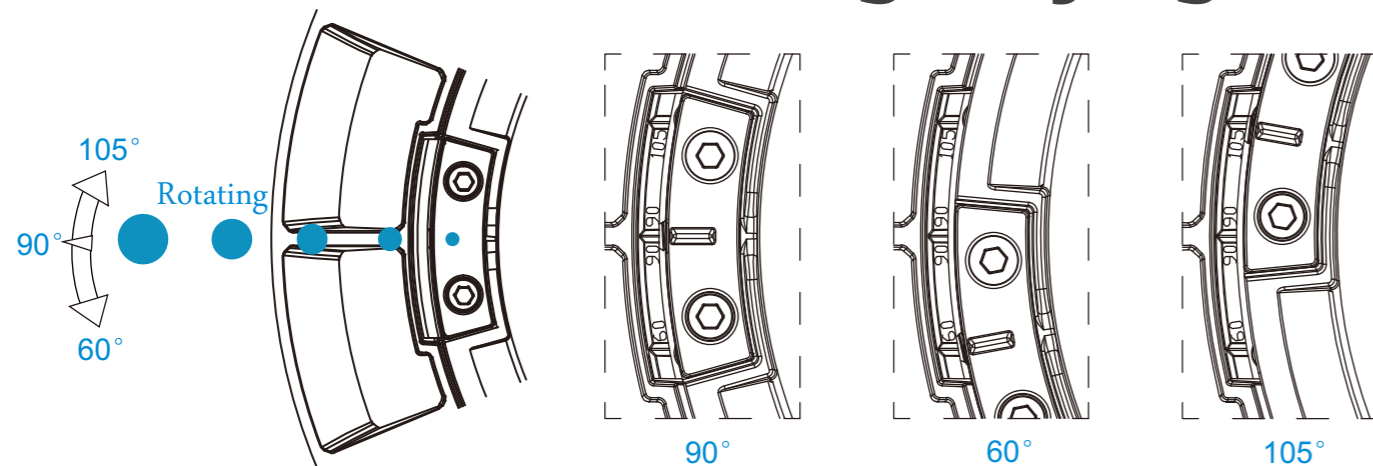


Item No.	Wattage (W)	Voltage (V)	Luminous Flux	CCT (K)	CRI (Ra)	Beam Angle	PF	Dimensions (mm)	IP Rating
SO-UFO-H100W	100W	AC100-277V	13000lm	2700-6500K	80	60/90/110°	>0.9	Ø280xH160mm	IP65
SO-UFO-H150W	150W	AC100-277V	19500lm	2700-6500K	80	60/90/110°	>0.9	Ø340xH165mm	IP65
SO-UFO-H200W	200W	AC100-277V	26000lm	2700-6500K	80	60/90/110°	>0.9	Ø400xH169mm	IP65
SO-UFO-H240W	240W	AC100-277V	31200lm	2700-6500K	80	60/90/110°	>0.9	Ø400xH169mm	IP65
SO-UFO-H300W	300W	AC100-277V	39000lm	2700-6500K	80	60/90/110°	>0.9	Ø460xH238mm	IP65





## Zoomable UFO LED High Bay Light



### Features

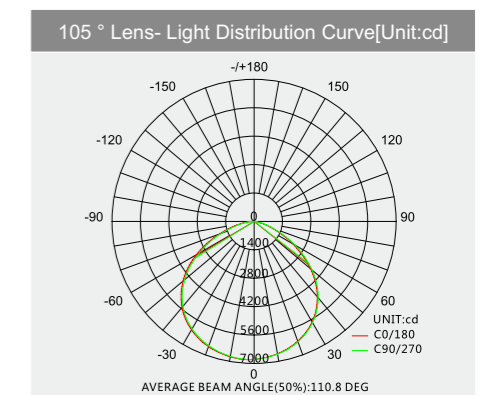
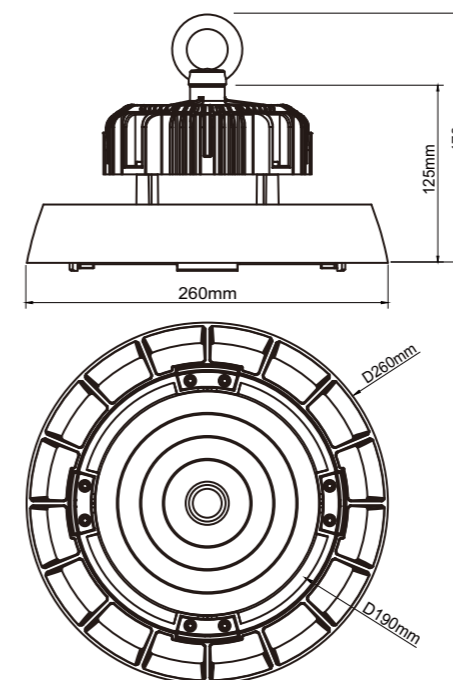
- Lens adjustable between 90/60/105°
- Patented design with **PUSH & LOCK** function
- Meanwell driver with Samsung/Philips SMD LED
- IP65 for wet & damp location applications
- Light sensor & motion sensor available



### Specifications



Item No.	Wattage (W)	Voltage (V)	Luminous Flux	CCT (K)	CRI (Ra)	Beam Angle	PF	Dimensions (mm)	IP Rating
SO-UFO-Z100W	100W	AC100-277V	13000lm	2700-6500K	80	60/90/105°	>0.9	Ø260xH178mm	IP65
SO-UFO-Z150W	150W	AC100-277V	19500lm	2700-6500K	80	60/90/105°	>0.9	Ø260xH178mm	IP65



# LED HIGH BAY LIGHT

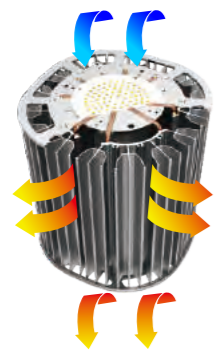


**PHILIPS**

# Enlight Series



## Enlight Series LED High Bay Light



### Heat pipe Riveting and massive fins cooling technology

By using the Ø6mm heatpipe, the heat generated by the LED is quickly transferred to the cooling module of massive radiation fins, efficiently reducing the temperature of the LED lighting chips and extend the lifespan of the lighting source.

### Compressed Fins Technology

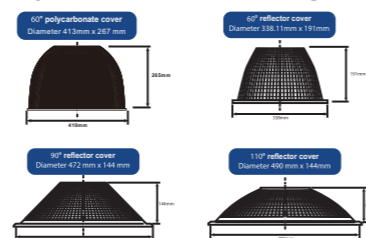
Compressed Fins Technology: rivet the heatpipe to heatsink body, minimize the heat resistance, greatly improve the cooling system and light in weight.

### Patented HDT Technology

High efficient heatpipes contact the heat source directly, maxima the performance of the heatpipes to reach the cooling effect.

### Aluminum & PC lampshades

Aluminum reflector (60/90/110 degree)  
Polycarbonate reflector (60 degree)

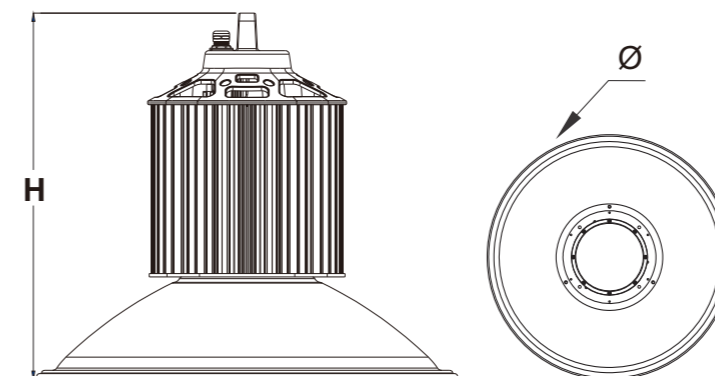


## Specifications

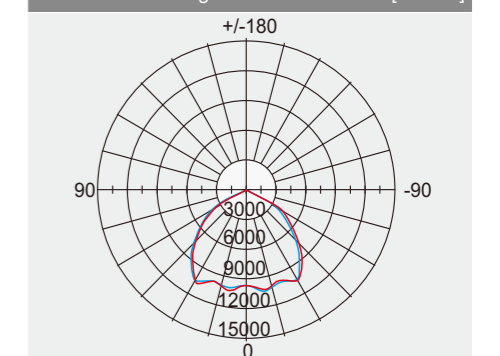


Item No.	Wattage (W)	Voltage (V)	Luminous Flux	CCT (K)	CRI (Ra)	Beam Angle	PF	Dimensions (mm)	IP Rating
SO-HBE-60W	60W	AC100-277V	6600lm	2700-6500K	80	60/90/110°	>0.9	Ø502xH382mm	IP54
SO-HBE-80W	80W	AC100-277V	8800lm	2700-6500K	80	60/90/110°	>0.9	Ø502xH382mm	IP54
SO-HBE-100W	100W	AC100-277V	11000lm	2700-6500K	80	60/90/110°	>0.9	Ø502xH417mm	IP54
SO-HBE-120W	120W	AC100-277V	13200lm	2700-6500K	80	60/90/110°	>0.9	Ø502xH417mm	IP54
SO-HBE-150W	150W	AC100-277V	16500lm	2700-6500K	80	60/90/110°	>0.9	Ø502xH458mm	IP54
SO-HBE-200W	200W	AC100-277V	22000lm	2700-6500K	80	60/90/110°	>0.9	Ø502xH458mm	IP54

★ Dimension based on 110° reflector



110° Reflector - Light Distribution Curve[Unit:cd]



# LED HIGH BAY LIGHT



# Reflecto Series



## Reflecto Series LED High Bay Light



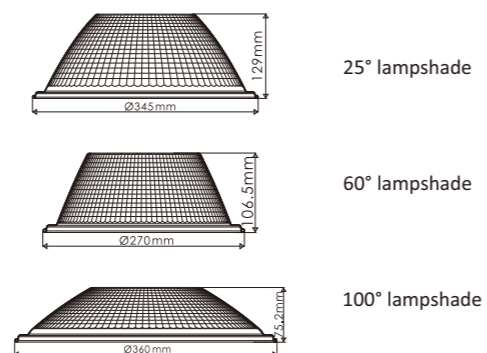
### Heat pipe-Riveting and massive fins cooling technology

By using the  $\varnothing 6\text{mm}$  heatpipe, the heat generated by the LED is quickly transferred to the cooling module of massive radiation fins, efficiently reducing the temperature of the LED lighting chips and extend the lifespan of the lighting source.

### Versatile Mounting Ways



### Various Lampshades Optional (25° / 60° / 100° )

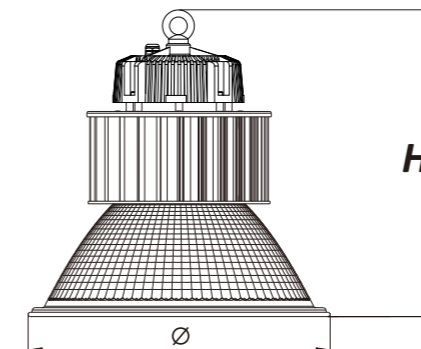


### Specifications

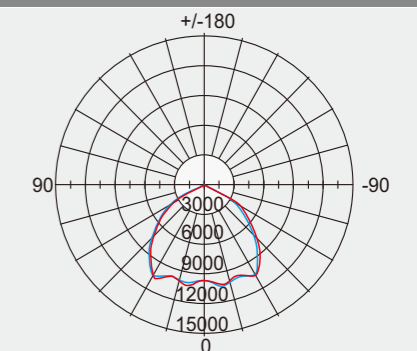


Item No.	Wattage (W)	Voltage (V)	Luminous Flux	CCT (K)	CRI (Ra)	Beam Angle	PF	Dimensions (mm)	IP Rating
SO-HBR-R60W	60W	AC100-277V	6600lm	2700-6500K	80	25°/60°/100°	>0.9	$\varnothing 345 \times H321\text{mm}$	IP54
SO-HBR-R100W	100W	AC100-277V	11000lm	2700-6500K	80	25°/60°/100°	>0.9	$\varnothing 345 \times H341\text{mm}$	IP54
SO-HBR-R150W	150W	AC100-277V	16500lm	2700-6500K	80	25°/60°/100°	>0.9	$\varnothing 345 \times H371\text{mm}$	IP54
SO-HBR-R200W	200W	AC100-277V	22000lm	2700-6500K	80	25°/60°/100°	>0.9	$\varnothing 345 \times H421\text{mm}$	IP54

★ Dimension based on 25° reflector



100° Lampshade- Light Distribution Curve[Unit:cd]



# LED HIGH BAY LIGHT



## Linear LED High Bay Light

### Features

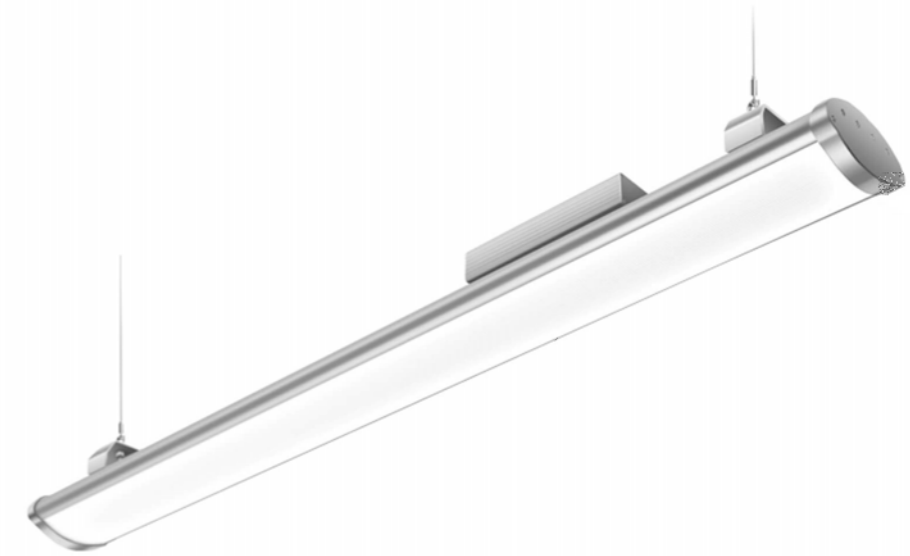
- LED linear highbay with extruded aluminum housing
- Vandal/UV resistant opal polycarbonate lens
- Robust water and dustproof construction with IP65 rating
- Meanwell driver with Samsung/Philips SMD LED
- Installation: Suspension / Surface mount / Rotating mount
- Dimming, emergency, light sensor & motion sensor available



### Applications

- Suitable for indoor & outdoor
- Warehouse and industrial lighting

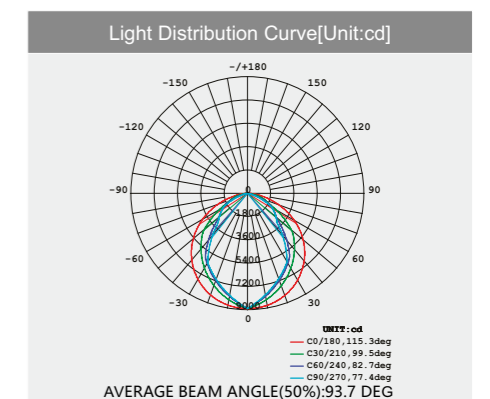
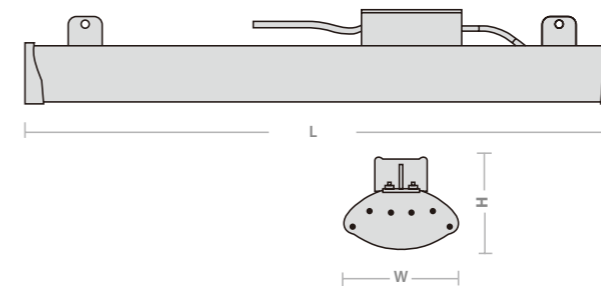
# Apollo Series



### Specifications



Item No.	Wattage (W)	Voltage (V)	Luminous Flux	CCT (K)	CRI (Ra)	Beam Angle	PF	Dimensions (mm)	IP Rating
SO-HBL-A600-50W	50W	AC100-277V	6500lm	2700-6500K	80	120°	>0.9	L600*W132*H87mm	IP65
SO-HBL-A900-60W	60W	AC100-277V	7800lm	2700-6500K	80	120°	>0.9	L900*W132*H87mm	IP65
SO-HBL-A1200-80W	80W	AC100-277V	10400lm	2700-6500K	80	120°	>0.9	L1200*W132*H87mm	IP65
SO-HBL-A1200-100W	100W	AC100-277V	13000lm	2700-6500K	80	120°	>0.9	L1200*W132*H87mm	IP65
SO-HBL-A1500-120W	120W	AC100-277V	15600lm	2700-6500K	80	120°	>0.9	L1500*W132*H87mm	IP65
SO-HBL-A1500-150W	150W	AC100-277V	19500lm	2700-6500K	80	120°	>0.9	L1500*W132*H87mm	IP65





## Linear LED High Bay Light

### Features

- LED linear highbay with extruded aluminum housing
- Versatile modular design with limitless combination
- Vandal/UV resistant PMMA lens with various beam angle
- Robust water and dustproof construction with IP66 rating
- Meanwell driver with Samsung/Philips SMD LED
- Installation: Suspension / Surface mount
- Dimming, emergency, light sensor & motion sensor available



### Applications

- Suitable for indoor & outdoor
- Warehouse and industrial lighting

### Specifications



Item No.	Wattage (W)	Voltage (V)	Luminous Flux	CCT (K)	CRI (Ra)	Beam Angle	PF	Dimensions (mm)	IP Rating
SO-HBL-M01-50W	50W	AC100-277V	6500lm	2700-6500K	80	30° 60° 90° 60x120° 60x90° 30x70° 155x80°	>0.9	L353*W115*H114mm	IP66
SO-HBL-M02-100W	100W	AC100-277V	13000lm	2700-6500K	80		>0.9	L620*W115*H114mm	IP66
SO-HBL-M03-150W	150W	AC100-277V	19500lm	2700-6500K	80		>0.9	L887*W115*H114mm	IP66
SO-HBL-M04-200W	200W	AC100-277V	26000lm	2700-6500K	80		>0.9	L1154*W115*H114mm	IP66
SO-HBL-M05-250W	250W	AC100-277V	32500lm	2700-6500K	80		>0.9	L1421*W115*H114mm	IP66
SO-HBL-M06-300W	300W	AC100-277V	39000lm	2700-6500K	80		>0.9	L947*W230*H173mm	IP66
SO-HBL-M08-400W	400W	AC100-277V	52000lm	2700-6500K	80		>0.9	L1214*W230*H173mm	IP66
SO-HBL-M10-500W	500W	AC100-277V	65000lm	2700-6500K	80		>0.9	L1481*W230*H173mm	IP66





## LED Flood Light Slim Series

### Features

- Ultra slim LED flood light with stylish finishing
- Aluminum alloy heatsink for best heat dissipation
- Branded LED to choose: Osram/Philips/Epistar
- Heavy duty trunnion bracket included
- High intensity toughened glass cover
- G-buckle technology for tool free maintenance
- Reflector and heatsink integrated to max the heat dissipation



Protection grade reaches IP65

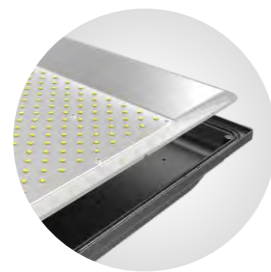


Anti-Level 17 hurricane



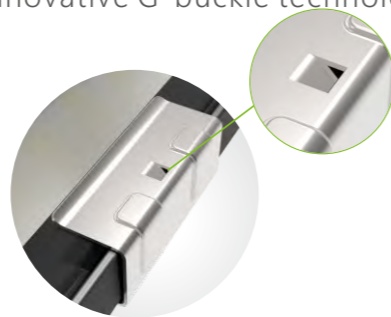
Adjustable angel of 270°

Reflector and heatsink integrated



Large size aluminum PCB fit aluminum die cast housing, reflector and heat sink integrated .

Innovative G-buckle technology



Innovative G-buckle technology, prevent glass off, free of screw fixing, elegant appearance, easy for assembling .

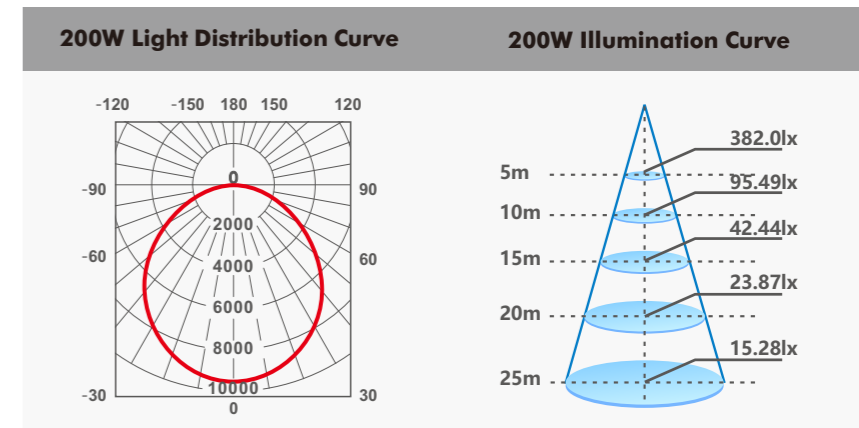
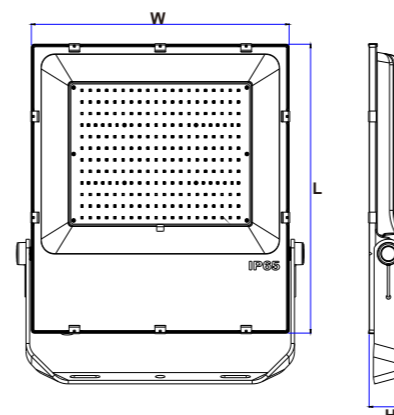


### Specifications



Item No.	Wattage (W)	Voltage (V)	Luminous Flux	CCT (K)	CRI (Ra)	Beam Angle	PF	Dimensions (mm)	IP Rating
SO-FLS-10W	10W	AC100-277V	1200lm	2700-6500K	70	120°	>0.9	L140×W107×H32	IP65
SO-FLS-20W	20W	AC100-277V	2400lm	2700-6500K	70	120°	>0.9	L190×W152×H40	IP65
SO-FLS-30W	30W	AC100-277V	3600lm	2700-6500K	70	120°	>0.9	L200×W167×H40	IP65
SO-FLO-50W	50W	AC100-277V	6000lm	2700-6500K	70	120° 30°/60°/90°	>0.9	L310×W220×H50	IP65
SO-FLO-80W	80W	AC100-277V	9600lm	2700-6500K	70		>0.9	L354×W245×H55	IP65
SO-FLO-100W	100W	AC100-277V	12000lm	2700-6500K	70	140x70°	>0.9	L402×W295×H60	IP65
SO-FLO-150W	150W	AC100-277V	18000lm	2700-6500K	70	70x150°	>0.9	L430×W330×H60	IP65
SO-FLO-200W	200W	AC100-277V	24000lm	2700-6500K	70	150x80° 50x140°	>0.9	L470×W360×H60	IP65

300W & 450W available



# LED FLOOD LIGHT

# H Series



## LED Flood Light H Series

### Features

- Die-cast aluminum LED Flood Light 30W to 300W
- Fin type aluminum heatsink for larger heat dissipation area
- Epistar/Bridgelux/Lumileds SMD LED, LM80, 50000hrs
- 130lm/W to 150lm/W over-all efficacy
- AC100-277V constant current LED driver with international standard
- Heavy duty trunnion bracket 270° adjustable
- Breathing valve to clean up the moisture inside of lamp and keep pressure balanced
- Photo Sensor or Motion Sensor can be added
- Various beam angle optional for more application
- Flood light, tunnel light, field light, area light etc



35W



50W/70W



100W



150W



200W/240W



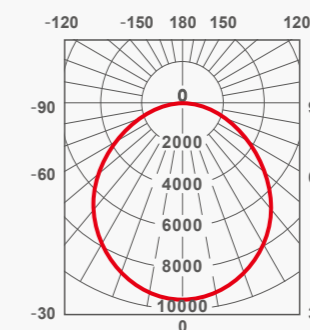
300W

### Specifications

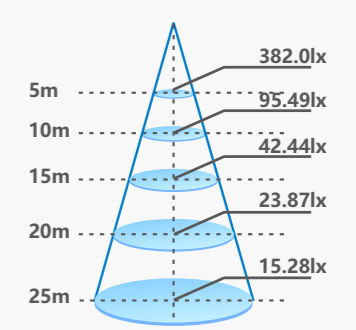


Item No.	Wattage (W)	Voltage (V)	Luminous Flux	CCT (K)	CRI (Ra)	Beam Angle	PF	Dimensions (mm)	IP Rating
SO-FLH-35W	35W	AC100-277V	4550lm	2700-6500K	70	60°/90°/120°	>0.9	L192*W172*H37mm	IP66
SO-FLH-50W	50W	AC100-277V	6500lm	2700-6500K	70	60°/90°/120°	>0.9	L240*W200*H45mm	IP66
SO-FLH-70W	70W	AC100-277V	9100lm	2700-6500K	70	60°/90°/120°	>0.9	L240*W200*H45mm	IP66
SO-FLH-100W	100W	AC100-277V	13000lm	2700-6500K	70	60°/90°/120°	>0.9	L280*W250*H45mm	IP66
SO-FLH-150W	150W	AC100-277V	19500lm	2700-6500K	70	60°/90°/120°	>0.9	L346*W312*H54mm	IP66
SO-FLH-200W	200W	AC100-277V	26000lm	2700-6500K	70	60°/90°/120°	>0.9	L380*W350*H63mm	IP66
SO-FLH-240W	240W	AC100-277V	31200lm	2700-6500K	70	60°/90°/120°	>0.9	L380*W350*H63mm	IP66
SO-FLH-300W	300W	AC100-277V	39000lm	2700-6500K	70	60°/90°/120°	>0.9	L480*W430*H105mm	IP65

200W Light Distribution Curve



200W Illumination Curve







## LED Flood Light **DIY Series**

### Features

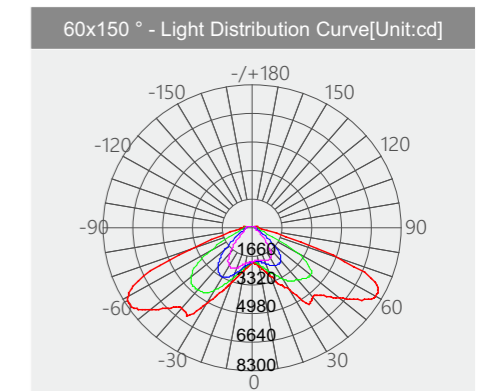
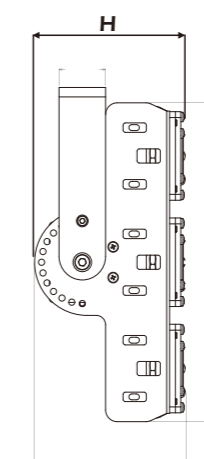
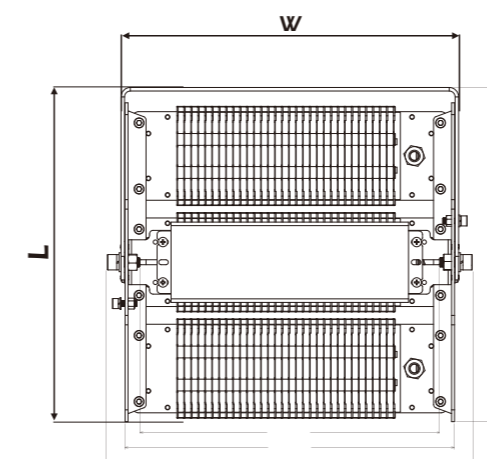
- Modular design LED outdoor light with DIY capability
- Aluminum alloy heatsink for best heat dissipation
- Used as flood light, tunnel light, low bay light, area light
- Heavy duty trunnion bracket with 180° adjustable
- Meanwell driver plus Lumileds LED with quality assurance
- Various beam angle options: 60x60°/90x90°/60x150°
- Modular design with max wattage up to 300W



### Specifications



Item No.	Wattage (W)	Voltage (V)	Luminous Flux	CCT (K)	CRI (Ra)	Beam Angle	PF	Dimensions (mm)	IP Rating
SO-FLD-50W	50W	AC100-277V	6000lm	2700-6500K	70	60x60°/90x90°/60°x150°	>0.9	L193xW315xH130	IP65
SO-FLD-100W	100W	AC100-277V	12000lm	2700-6500K	70	60x60°/90x90°/60°x150°	>0.9	L238xW315xH130	IP65
SO-FLD-150W	150W	AC100-277V	18000lm	2700-6500K	70	60x60°/90x90°/60°x150°	>0.9	L283xW315xH130	IP65
SO-FLD-200W	200W	AC100-277V	24000lm	2700-6500K	70	60x60°/90x90°/60°x150°	>0.9	L373xW315xH130	IP65
SO-FLD-300W	300W	AC100-277V	36000lm	2700-6500K	70	60x60°/90x90°/60°x150°	>0.9	L283xW599xH130	IP65





## Features

- Ultra slim LED flood light with elegant design
- Aluminum alloy heatsink for best heat dissipation
- Used as flood light, tunnel light, field light, area light
- Heavy duty trunnion bracket included
- Meanwell driver plus Lumileds LED with quality assurance
- Various beam angle provided: 30°/60°/90°/80°x140°
- Modular design with max wattage up to 800W



Protection grade reaches IP65



Anti-Level 17 hurricane



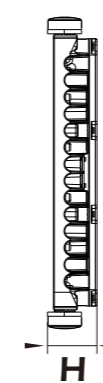
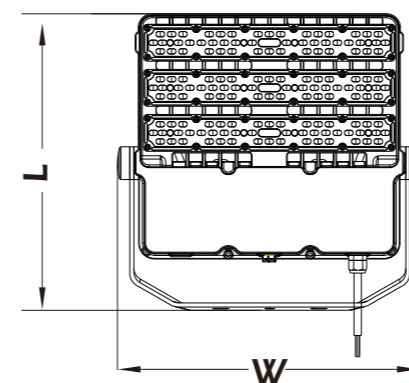
Adjustable angel of 270°



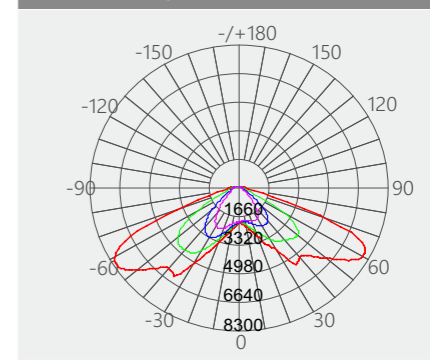
## Specifications



Item No.	Wattage (W)	Voltage (V)	Luminous Flux	CCT (K)	CRI (Ra)	Beam Angle	PF	Dimensions (mm)	IP Rating
SO-FLE-100W	100W	AC100-277V	12000lm	2700-6500K	70	30°/60°/90°/80°x140°	>0.9	L365xW310xH60	IP65
SO-FLE-150W	150W	AC100-277V	18000lm	2700-6500K	70	30°/60°/90°/80°x140°	>0.9	L365xW365xH60	IP65
SO-FLE-200W	200W	AC100-277V	24000lm	2700-6500K	70	30°/60°/90°/80°x140°	>0.9	L365xW420xH60	IP65
SO-FLE-240W	240W	AC100-277V	28000lm	2700-6500K	70	30°/60°/90°/80°x140°	>0.9	L365xW420xH60	IP65
SO-FLE-300W	300W	AC100-277V	36000lm	2700-6500K	70	30°/60°/90°/80°x140°	>0.9	L695xW385xH65	IP65
SO-FLE-400W	400W	AC100-277V	48000lm	2700-6500K	70	30°/60°/90°/80°x140°	>0.9	L695xW435xH65	IP65
SO-FLE-600W	600W	AC100-277V	72000lm	2700-6500K	70	30°/60°/90°/80°x140°	>0.9	L711xW645xH105	IP65
SO-FLE-800W	800W	AC100-277V	96000lm	2700-6500K	70	30°/60°/90°/80°x140°	>0.9	L711xW755xH105	IP65



80x140° - Light Distribution Curve[Unit:cd]



# LED STREET LIGHT

# Edge Series



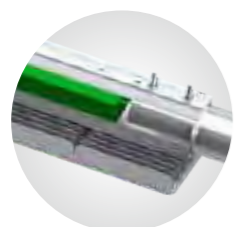
**PHILIPS**

## Features

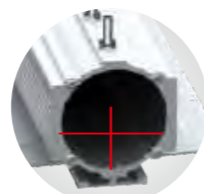
- Philips SMD high efficacy LED as light source
- Meanwell driver equipped for quality assurance
- 30W-150W power range to replace max HPS 400W
- Driver box & arm integrated to save more space.
- Two types of light pole diameter for universal installation

The integrated design of driver box and arm to save space and reduce the wind resistance.

Two types of the light pole diameter for universal installation.



Special designed street light joint with 120° adjustable angle provided separately.



**60mm**

Protection grade reaches IP67



**40mm**

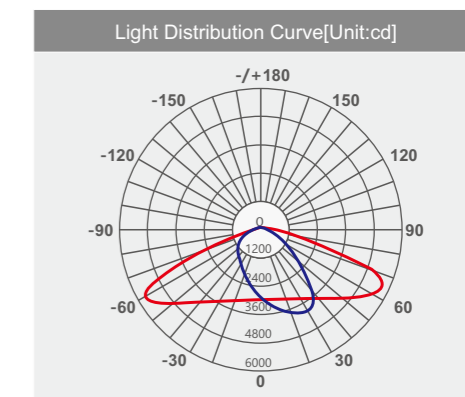
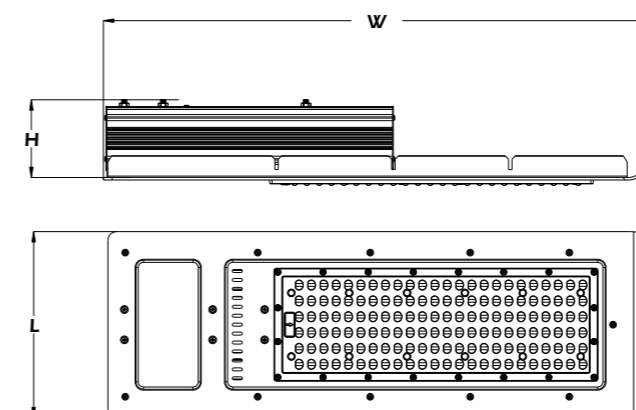
Anti-Level-17 hurricane



## Specifications



Item No.	Wattage (W)	Voltage (V)	Luminous Flux	CCT (K)	CRI (Ra)	Beam Angle	PF	Dimensions (mm)	IP Rating
SO-RLE-30W	30W	AC100-277V	3300lm	2700-6500K	70	140°x 70°	>0.9	L366xW135xH85	IP65
SO-RLE-40W	40W	AC100-277V	4400lm	2700-6500K	70	140°x 70°	>0.9	L366xW135xH85	IP65
SO-RLE-60W	60W	AC100-277V	6600lm	2700-6500K	70	140°x 70°	>0.9	L430xW160xH90	IP65
SO-RLE-90W	90W	AC100-277V	9900lm	2700-6500K	70	140°x 70°	>0.9	L430xW215xH90	IP65
SO-RLE-120W	120W	AC100-277V	13200lm	2700-6500K	70	140°x 70°	>0.9	L630xW215xH90	IP65
SO-RLE-150W	150W	AC100-277V	16500lm	2700-6500K	70	140°x 70°	>0.9	L630xW215xH90	IP65



# LED TRIPROOF LIGHT



## LED Tri-proof Light **Classic T Series**

### Features

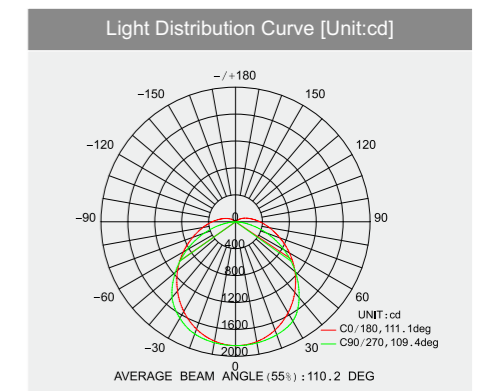
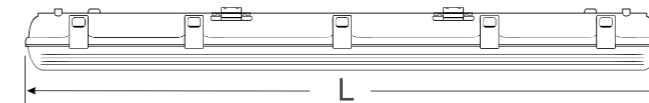
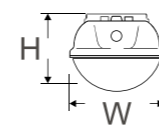
- Polycarbonate base & cover, impact resistant & high transmittance
- Classic version tri-proof light with LED source inside, more traditional
- High luminous flux SMD LED with LM80 report
- Overall luminous efficacy from 110-130LPW
- Non-flicker LED driver with UL/TUV/SAA/CE certified
- Surface mount & suspended installation optional
- Stainless steel buckles and brackets for strong connection
- Dimmable / Microwave Sensor / Emergency available



### Specifications



Item No.	Wattage (W)	Voltage (V)	Luminous Flux	CCT (K)	CRI (Ra)	Beam Angle	PF	Dimensions (mm)	IP
SO-TPL-06TA20W	20W	AC100-240V	2200lm	2700-6500K	>80	120°	>0.9	L600xW95xH80	IP65
SO-TPL-12TA40W	40W	AC100-240V	4400lm	2700-6500K	>80	120°	>0.9	L1200xW63xH80	IP65
SO-TPL-15TA50W	50W	AC100-240V	5500lm	2700-6500K	>80	120°	>0.9	L1500xW63xH80	IP65
SO-TPL-06TB30W	30W	AC100-240V	3300lm	2700-6500K	>80	120°	>0.9	L600xW125xH88	IP65
SO-TPL-12TB40W	40W	AC100-240V	4400lm	2700-6500K	>80	120°	>0.9	L1200xW125xH88	IP65
SO-TPL-12TB50W	50W	AC100-240V	5500lm	2700-6500K	>80	120°	>0.9	L1200xW125xH88	IP65
SO-TPL-12TB60W	60W	AC100-240V	6600lm	2700-6500K	>80	120°	>0.9	L1200xW125xH88	IP65
SO-TPL-15TB60W	60W	AC100-240V	6600lm	2700-6500K	>80	120°	>0.9	L1500xW125xH88	IP65
SO-TPL-15TB80W	80W	AC100-240V	8800lm	2700-6500K	>80	120°	>0.9	L1500xW125xH88	IP65



# LED TRIPROOF LIGHT



## LED Tri-proof Light **Slimline Series**

### Features

- Aluminum alloy body & fire retardant polycarbonate cover
- Unique construction with slim & stylish design
- High luminous flux SMD LED with LM80 report
- Overall luminous efficacy from 110-130LPW
- Non-flicker LED driver with UL/TUV/SAA/CE certified
- Surface mount & suspended installation optional
- Up to 70% energy saving with zero maintenance cost
- Dimmable / Microwave Sensor / Emergency available

### Microwave Motion Sensor



On/off control



Stand-by period



Detection area



Stand-by dimming level



Hold-time



Remote control setting



Daylight sensor

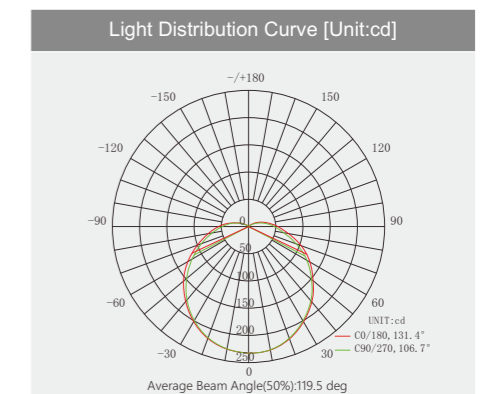
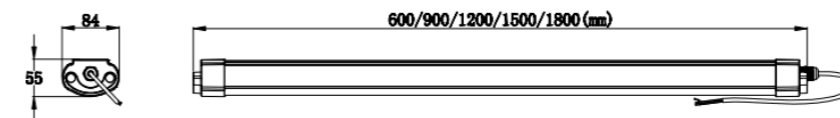
# Slimline Series



### Specifications



Item No.	Wattage (W)	Voltage (V)	Luminous Flux	CCT (K)	CRI (Ra)	Beam Angle	PF	Dimensions (mm)	IP
SO-TPL-06S20W	20W	AC100-240V	2600lm	2700-6500K	>80	120°	>0.9	L600xW84xH46	IP65
SO-TPL-09S30W	30W	AC100-240V	3900lm	2700-6500K	>80	120°	>0.9	L900xW84xH46	IP65
SO-TPL-12S40W	40W	AC100-240V	5200lm	2700-6500K	>80	120°	>0.9	L1200xW84xH46	IP65
SO-TPL-15S50W	60W	AC100-240V	6500lm	2700-6500K	>80	120°	>0.9	L1500xW84xH46	IP65
SO-TPL-18S50W	70W	AC100-240V	9100lm	2700-6500K	>80	120°	>0.9	L1800xW84xH46	IP65



# LED TRIPROOF LIGHT



## Linkable LED Tri-proof Light

### Features

- IP65 waterproof/dust proof/explosion proof/IK08
- 0.6m, 1.2m and 1.5m LED linear tri-proof light
- Linkable design for long connection solutions
- Surface mounted or pendant installation options
- Pure aluminum alloy with superior heat dissipation
- Driver quick replacement design for easy maintenance
- 0-10V Dimmable/DALI Dimmable/Microwave Sensor/Emergency



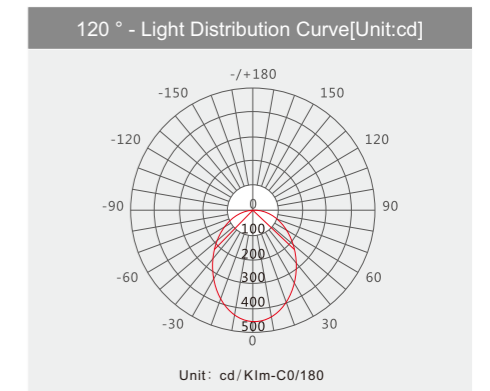
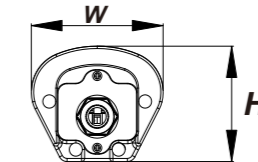
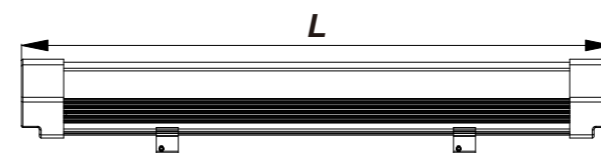
## Linkable Series



### Specifications



Item No.	Wattage (W)	Voltage (V)	Luminous Flux	CCT (K)	CRI (Ra)	Beam Angle	PF	Dimensions (mm)	IP
SO-TRI-L20W	20W	AC100-240V	2000lm	2700-6500K	80	120°	>0.9	L600xW86xH74	IP65
SO-TRI-L40W	40W	AC100-240V	4000lm	2700-6500K	80	120°	>0.9	L1200xW86xH74	IP65
SO-TRI-L60W	60W	AC100-240V	6000lm	2700-6500K	80	120°	>0.9	L1500xW86xH74	IP65



# LED WALL PACK LIGHT

# WP1 Series



## LED Wall Pack WP1 Series

### Features

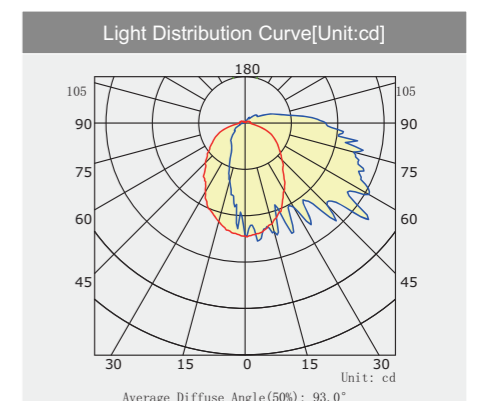
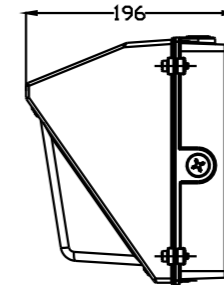
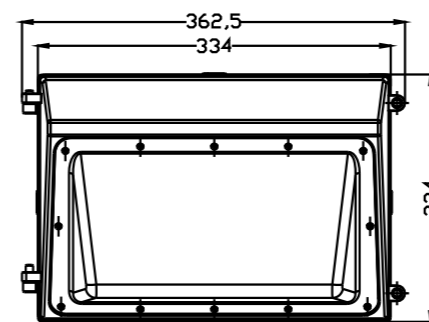
- Die-cast aluminum body for strength and durability
- Polycarbonate optical lens with UV stabilizers
- Branded LED to choose: Osram/Philips/Epistar
- Built-in UL/TUV/CE/SAA constant current LED driver
- Over-voltage, short-circuit and over temperature protection
- Emergency & dimmable options are available
- For security, pathway and perimeter lighting



### Specifications



Item No.	Wattage (W)	Voltage (V)	Luminous Flux	CCT (K)	CRI (Ra)	Beam Angle	PF	Dimensions (mm)	IP Rating
SO-WP1-40W	40W	AC100-277V	4400lm	2700-6500K	70	110°	>0.9	L362.5xW234xH196	IP65
SO-WP1-60W	60W	AC100-277V	6600lm	2700-6500K	70	110°	>0.9	L362.5xW234xH196	IP65
SO-WP1-80W	80W	AC100-277V	8800lm	2700-6500K	70	110°	>0.9	L362.5xW234xH196	IP65
SO-WP1-100W	100W	AC100-277V	11000lm	2700-6500K	70	110°	>0.9	L362.5xW234xH196	IP65
SO-WP1-120W	120W	AC100-277V	13200lm	2700-6500K	70	110°	>0.9	L362.5xW234xH196	IP65



# LED BATTEN LIGHT



## BLG Series



### More options...

- ★ 3CCT selectable
- ★ 3Power selectable
- ★ 3CCT selectable+3Power
- ★ Motion Sensor
- ★ Emergency
- ★ AC100-277V
- ★ Dimmable
- ★ Suspension kit

### Specifications

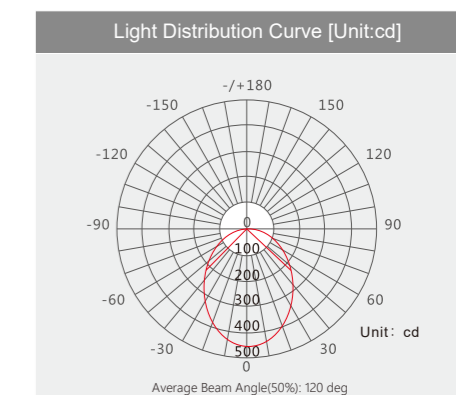
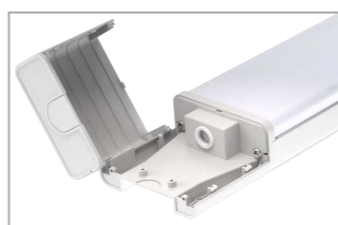
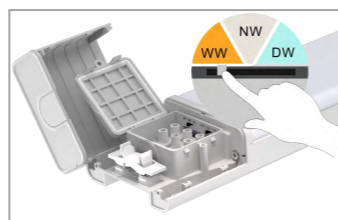


Item. No	Wattage (W)	Voltage (V)	Luminous Flux	CCT (K)	CRI (Ra)	Beam Angle	PF	Dimensions (mm)	IP
SO-BLG-600-20W	20W	AC200-240V	2400lm	2700-6500K	80	120°	>0.9	L597*W80*H36mm	IP44
SO-BLG-1200-40W	40W	AC200-240V	4800lm	2700-6500K	80	120°	>0.9	L1197*W80*H36mm	IP44
SO-BLG-1500-60W	60W	AC200-240V	7200lm	2700-6500K	80	120°	>0.9	L1497*W80*H36mm	IP44
SO-BLG-1800-75W	75W	AC200-240V	9000lm	2700-6500K	80	120°	>0.9	L1797*W80*H36mm	IP44

## BLG Series LED Batten Light

### Features

- IP44 LED Batten Light with various length and wattage
- 3CCT & 3Power Adjustable via built-in DIP switches
- Microwave Sensor with daylight sensor integrated
- CE/TUV/SAA/UL certified constant current LED driver
- Versatile installations: Surface Mount or Suspended
- Save 70% energy than traditional fluorescent light
- No glare, no strobe, precise light distribution





# LED BATTEN LIGHT



## BLH Series LED Batten Light

### Features

- LED Batten Light with various length and wattage
- 3CCT & 3Power Adjustable via built-in DIP switches
- Microwave Sensor with daylight sensor integrated
- CE/TUV/SAA/UL certified constant current LED driver
- Versatile installations: Surface Mount or Suspended
- Save 70% energy than traditional fluorescent light
- No glare, no strobe, precise light distribution



## BLH Series



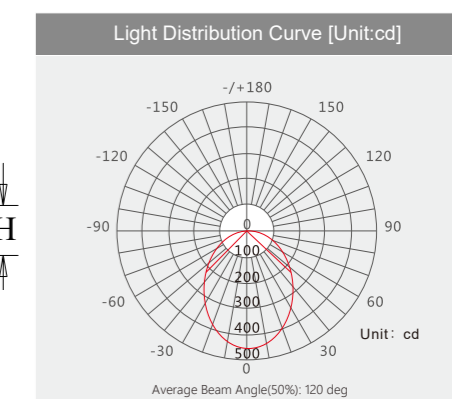
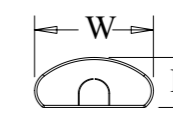
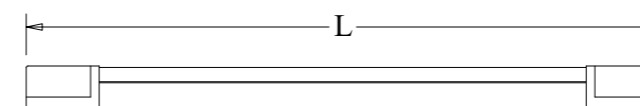
### More options...

- ★ 3CCT selectable
- ★ 3Power selectable
- ★ 3CCT selectable+3Power
- ★ Motion Sensor
- ★ Emergency
- ★ AC100-277V
- ★ Dimmable
- ★ Suspension kit

### Specifications

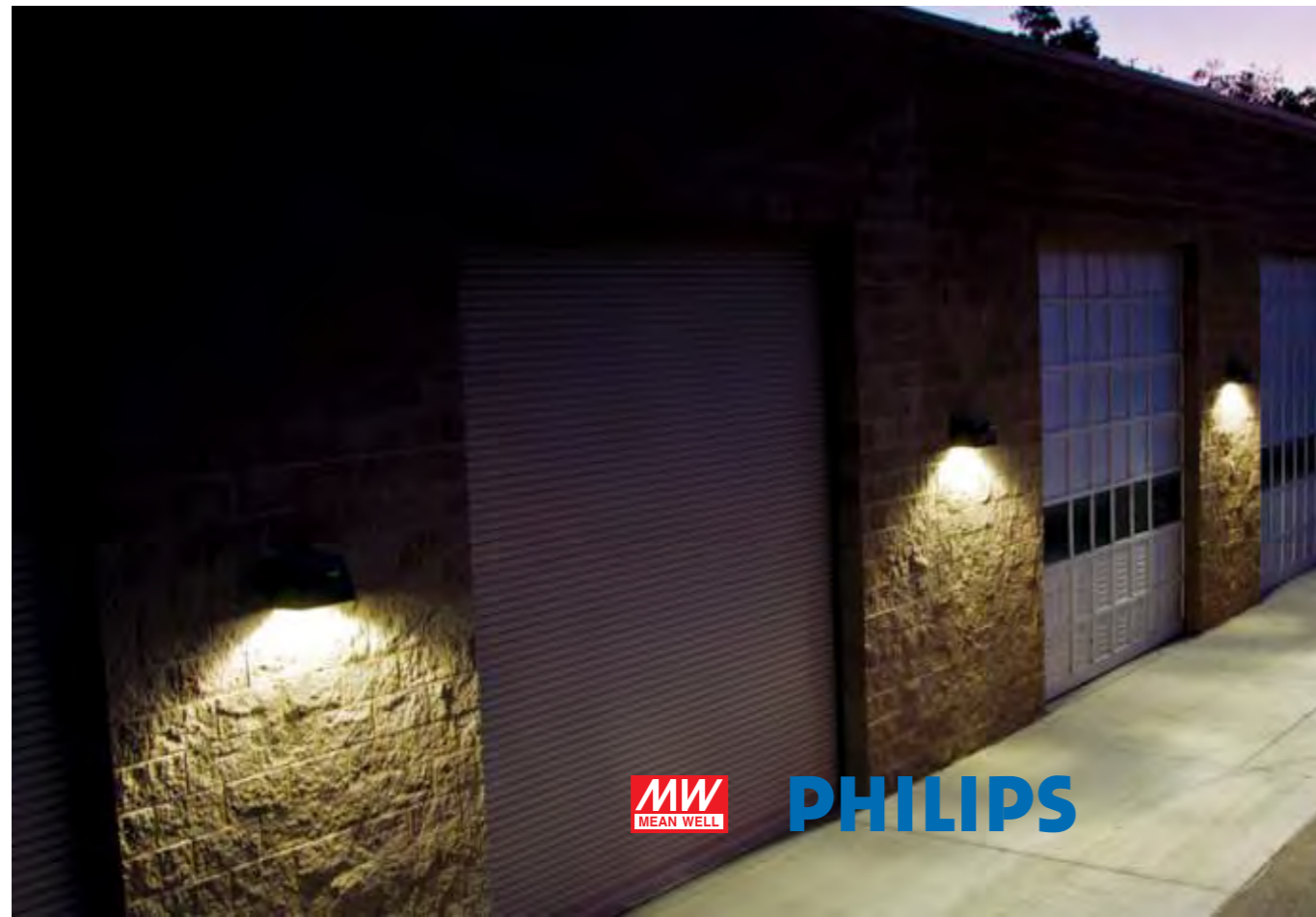


Item. No	Wattage (W)	Voltage (V)	Luminous Flux	CCT (K)	CRI (Ra)	Beam Angle	PF	Dimensions (mm)	IP
SO-BLH-600-20W	20W	AC200-240V	2400lm	2700-6500K	80	120°	>0.9	L590*W80*H36mm	IP42
SO-BLH-1200-40W	40W	AC200-240V	4800lm	2700-6500K	80	120°	>0.9	L1190*W80*H36mm	IP42
SO-BLH-1500-60W	60W	AC200-240V	7200lm	2700-6500K	80	120°	>0.9	L1490*W80*H36mm	IP42
SO-BLH-1800-75W	75W	AC200-240V	9000lm	2700-6500K	80	120°	>0.9	L1790*W80*H36mm	IP42



# LED WALL PACK LIGHT

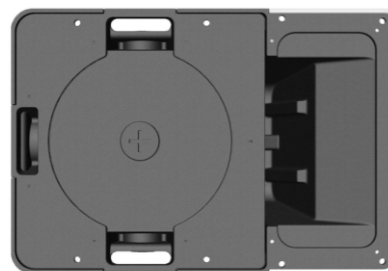
# Mini Series



## LED Wall Pack Mini Series

### Features

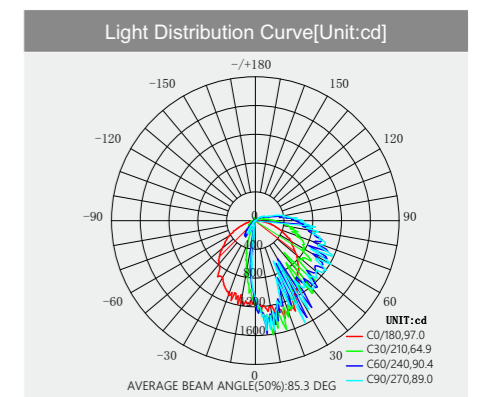
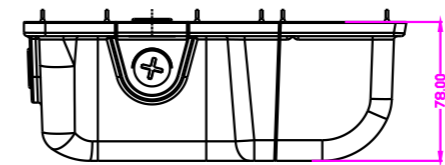
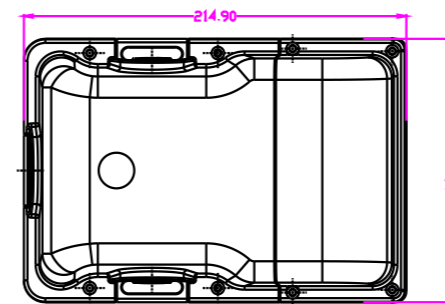
- Die-cast aluminum body for strength and durability
- Polycarbonate optical lens with UV stabilizers
- Branded LED to choose: Osram/Philips/Epistar
- Built-in UL/TUV/CE/SAA constant current LED driver
- Over-voltage, short-circuit and over temperature protection
- Photocell sensor, PIR sensor optional
- For security, pathway and perimeter lighting



### Specifications



Item No.	Wattage (W)	Voltage (V)	Luminous Flux	CCT (K)	CRI (Ra)	Beam Angle	PF	Dimensions (mm)	IP Rating
SO-WPM-20W	20W	AC100-277V	2200lm	2700-6500K	70	90°	>0.9	L214.9×W148×H78	IP65
SO-WPM-30W	30W	AC100-277V	3300lm	2700-6500K	70	90°	>0.9	L214.9×W148×H78	IP65



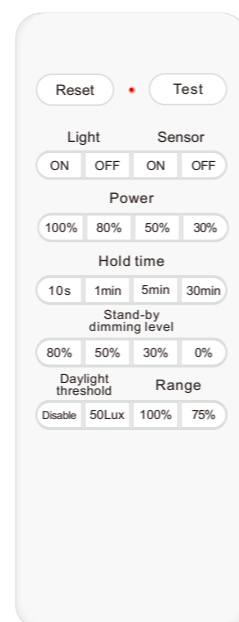
# LED PANEL LIGHT



## Back-Lit LED Panel Light

### Features

- Back-lit LED Panel with LEDs mounted on backside
- Less components with more stable performance
- High luminous flux Epistar chip SMD LED
- CE/TUV/SAA/UL certified constant current LED driver
- IP44 protection against dust & moisture
- Versatile installations: Recessed, Suspended & Surface Mount
- Save 70% energy than traditional fluorescent light
- No glare, no strobe, precise light distribution



Remote for motion sensor

## Back-Lit Series

### More options...

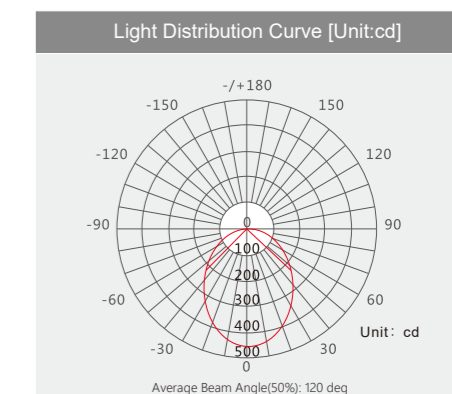
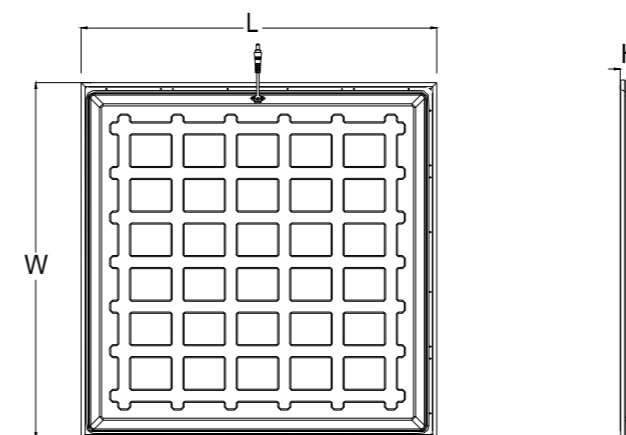
- ★ Dimmable, CCT tunnable & RGB
- ★ 120lm/W & 140lm/W efficacy
- ★ AC100-277V
- ★ IP65, UGR<19
- ★ Motion Sensor
- ★ Suspension kit
- ★ Surface mount box



### Specifications



Item. No	Wattage (W)	Voltage (V)	Luminous Flux	CCT (K)	CRI (Ra)	Beam Angle	PF	Dimensions (mm)	IP
SO-PLB-3030-20W	20W	AC200-240V	2000lm	2700-6500K	80	120°	>0.9	L295×W295×H30	IP44
SO-PLB-3060-24W	24W	AC200-240V	2400lm	2700-6500K	80	120°	>0.9	L295×W595×H30	IP44
SO-PLB-6060-36W	36W	AC200-240V	3600lm	2700-6500K	80	120°	>0.9	L595×W595×H30	IP44
SO-PLB-6060-40W	40W	AC200-240V	4000lm	2700-6500K	80	120°	>0.9	L595×W595×H30	IP44
SO-PLB-30120-36W	36W	AC200-240V	3600lm	2700-6500K	80	120°	>0.9	L295×W1195×H30	IP44
SO-PLB-30120-40W	40W	AC200-240V	4000lm	2700-6500K	80	120°	>0.9	L295×W1195×H30	IP44
SO-PLB-60120-60W	60W	AC200-240V	6000lm	2700-6500K	80	120°	>0.9	L595×W1195×H30	IP44



# LED PANEL LIGHT



## Mini Series



PIR Sensor Version

### Specifications (round recessed)

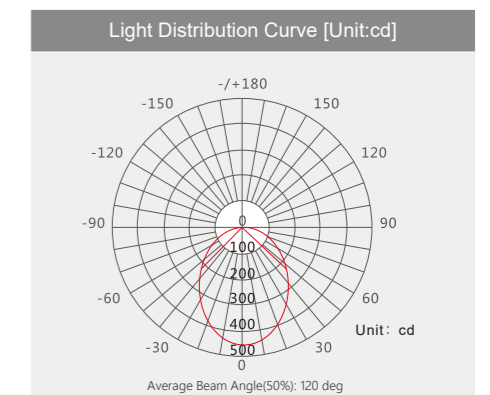
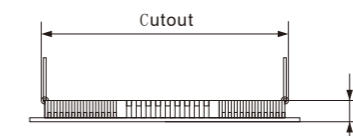
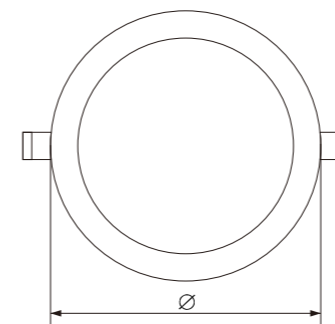


Item No.	Wattage (W)	Voltage (V)	Luminous Flux	CCT (K)	CRI (Ra)	Beam Angle	PF	Dimensions (mm)	Cutout (mm)
SO-PL-MP-R90-3W	3W	AC100-240V	240lm	2700-6500K	>80	120°	>0.5	Ø90xH12	Ø80
SO-PL-MP-R107-4W	4W	AC100-240V	320lm	2700-6500K	>80	120°	>0.5	Ø107xH12	Ø95
SO-PL-MP-R120-6W	6W	AC100-240V	480lm	2700-6500K	>80	120°	>0.5	Ø120xH12	Ø110
SO-PL-MP-R145-9W	9W	AC100-240V	720lm	2700-6500K	>80	120°	>0.5	Ø145xH12	Ø130
SO-PL-MP-R170-12W	12W	AC100-240V	960lm	2700-6500K	>80	120°	>0.5	Ø170xH12	Ø160
SO-PL-MP-R190-15W	15W	AC100-240V	1200lm	2700-6500K	>80	120°	>0.5	Ø190xH12	Ø180
SO-PL-MP-R225-18W	18W	AC100-240V	1440lm	2700-6500K	>80	120°	>0.5	Ø225xH12	Ø210
SO-PL-MP-R300-24W	24W	AC100-240V	2000lm	2700-6500K	>80	120°	>0.9	Ø300xH12	Ø290

## Ultra-thin mini LED Panel

### Features

- Extruded aluminum frame with powder coating
- High luminous flux Epistar chip SMD LED
- PMMA light guide with uniform light distribution
- CE/TUV/SAA/UL certified driver as options
- Compact size with ultra-thin design
- Save 70% energy than traditional fluorescent light
- No glare, no strobe, precise light distribution
- Various dimming & emergency functions available



# Mini Series

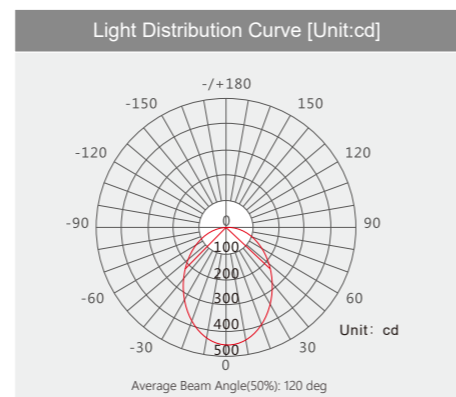
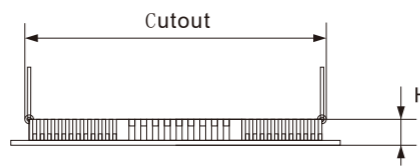
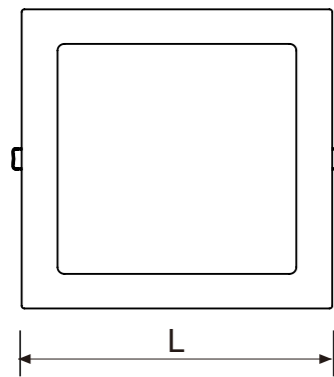


PIR Sensor Version

## Specifications (square recessed)



Item No.	Wattage (W)	Voltage (V)	Luminous Flux	CCT (K)	CRI (Ra)	Beam Angle	PF	Dimensions (mm)	Cutout (mm)
SO-PL-MP-S85-3W	3W	AC100-240V	240lm	2700-6500K	>80	120°	>0.5	85x85xH12	70x70
SO-PL-MP-S110-4W	4W	AC100-240V	320lm	2700-6500K	>80	120°	>0.5	110x110xH12	95x95
SO-PL-MP-R120-6W	6W	AC100-240V	480lm	2700-6500K	>80	120°	>0.5	120x120xH12	110x110
SO-PL-MP-R145-9W	9W	AC100-240V	720lm	2700-6500K	>80	120°	>0.5	145x145xH12	130x130
SO-PL-MP-R170-12W	12W	AC100-240V	960lm	2700-6500K	>80	120°	>0.5	170x170xH12	160x160
SO-PL-MP-R190-15W	15W	AC100-240V	1200lm	2700-6500K	>80	120°	>0.5	190x190xH12	180x180
SO-PL-MP-R225-18W	18W	AC100-240V	1440lm	2700-6500K	>80	120°	>0.5	225x225xH12	210x210
SO-PL-MP-R300-24W	24W	AC100-240V	2000lm	2700-6500K	>80	120°	>0.9	300x300xH12	290x290



# Mini Series



PIR Sensor Version

## Specifications (surface mount)



Item No.	Wattage (W)	Voltage (V)	Luminous Flux	CCT (K)	CRI (Ra)	Beam Angle	PF	Dimensions (mm)	IP
SO-PL-MP-SR120-6W	6W	AC100-240V	480lm	2700-6500K	>80	120°	>0.5	Ø120xH35	IP20
SO-PL-MP-SR170-12W	12W	AC100-240V	960lm	2700-6500K	>80	120°	>0.5	Ø170xH35	IP20
SO-PL-MP-SR225-18W	18W	AC100-240V	1440lm	2700-6500K	>80	120°	>0.5	Ø225xH35	IP20
SO-PL-MP-SR300-24W	24W	AC100-240V	2000lm	2700-6500K	>80	120°	>0.5	Ø300xH35	IP20
SO-PL-MP-SS120-6W	6W	AC100-240V	480lm	2700-6500K	>80	120°	>0.5	120x120xH35	IP20
SO-PL-MP-SS170-12W	12W	AC100-240V	960lm	2700-6500K	>80	120°	>0.5	170x170xH35	IP20
SO-PL-MP-SS225-18W	18W	AC100-240V	1440lm	2700-6500K	>80	120°	>0.5	225x225xH35	IP20
SO-PL-MP-SS300-24W	24W	AC100-240V	2000lm	2700-6500K	>80	120°	>0.9	300x300xH35	IP20

